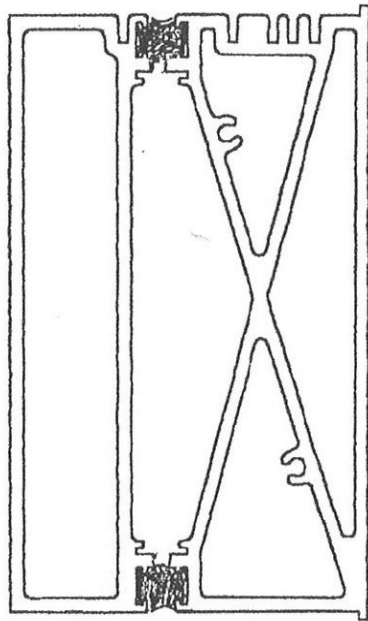




STRUCTURAL RING BEAM

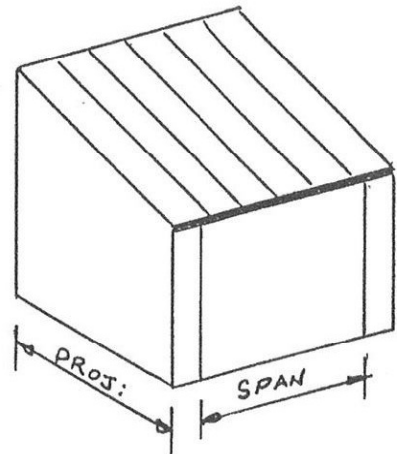
ALUMINIUMBYDESIGN.CO.UK
SALES@ALUMINIUMBYDESIGN.CO.UK
01268 511137



← OUTSIDE

SECTION PROPERTIES

I VALUE 492.7 cm⁴
C OF G 59.66
O/ ALL 135.0



ABD134 STRUCTURAL RING BEAM
GLASS ROOF WITH 2X4mm TOUGH SEALED UNITS

ROOF PROJECTION	MAX SPAN mm	DEAD LOAD DEFLECTION
2.00	4422	3.87
2.25	4263	3.66
2.50	4124	3.48
2.75	4002	3.32
3.00	3893	3.19
3.25	3795	3.08
3.50	3706	2.98

POLYCARBONATE

2.00	4705
2.25	4652
2.50	4492
2.75	4351
3.00	4227
3.25	4116
3.50	4005
3.75	3914
4.00	3830